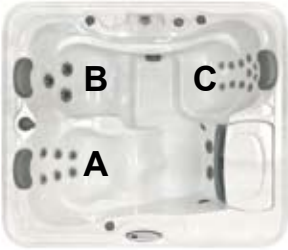


2010 Sundance Spas 780 Dover

Specifications

Dimensions:	69" x 82" x 30.5" (175.5 cm x 208.5 cm x 77.5 cm)	
Seating Capacity:	2-3 Adults	
Dry Weight:	620 lbs (281 kg)	
Filled Weight:	3,124 lbs (1,417 kg)	
Water Capacity (Spa Volume):	300 US Gal (1,136 Liters)	
Water Capacity (Average Fill):	240 US Gal (908 Liters)	
Controls:	780 Series Solid-State Electronic Controls with LED Readout, Programmable Temperature, Filtration, Heat Cycles	
Water Delivery:	1 High-flow pump	
Pump 1:	North America (60 Hz): 2-Speed/1.5 HP Continuous, 13.0A Max. Export (50 Hz): 2-Speed/2.0 HP Continuous, 8.0A max.	
Pump 2:	24-Hour Filter/Circulation Pump	
Total Hydrojets:	22	
Adirondack Lounge Jets (A):	6 SMT Fluidix, 2 SMT	
Contour Seat Jets (B):	3 SMT	
Accu-Sage Therapy Seat Jets (C):	9 Accu-Pressure, 2 SMT Micro	
Air Controls/Massage Selectors:	3/1; Standard air controls with LED light rings	
Filter:	MicroClean Filter System, 125 ft ² Combined Filtration, (1 pleated and 1 spun-bound cartridge)	
Water Treatment:	Automatic Brominator and 24-Hour Circulation Pump; Ozone Adaptable	
Lighting:	Standard Multicolored SunRay LED Light	
Synthetic Cabinet:	Available in Sierra, Coastal, and Mahogany	
Shell Colors:	North America: Platinum, Sand, Celestite, Sahara, Oyster, Copper Sand, Twilight, Graphite Export (50 Hz): All North America Colors	
Handrails:	N/A	
Headrests:	Three, 1-Piece Gray	
Heater:	North America Convertible Model (60 Hz): Low Flow, 1 kW@120 VAC or Convertible to 4 kW@240 VAC Export (50 Hz): Low flow, 2.7 kW	
Electrical Requirements:	North America Convertible Model (60 Hz): 120 VAC@15A with Supplied GFCI Cord or 240 VAC@30A or 40A (Hard Wired Only); Export (50 Hz): 230-240 VAC@20A or 30A or suitably Rated Circuit Breaker to Comply with Local Electrical Regulations. Certain Countries May Require Dual Power Inputs; Two GFCI/RCD Breakers are Required for This Configuration.	
Limited Warranty*:	North America (60 Hz): 10 Years Shell, 7 Years Shell Surface, 5 Years Plumbing Component Leaks, 5 Years Equipment and Controls, 2 Years Jets, 5 Years Cabinet, 2 Years Jets Export (50 Hz): 10 Years Shell, 7 Years Shell Surface, 2 Years Plumbing Component Leaks, 2 Years Equipment and Controls, 2 Years Jets, 2 Years Cabinet	
Waterfall Feature:	On/Off Flow Rate; Colored Lighting	
Special Features:	Not Available	
Inground Model:	Not Available	

*(See Warranty Document for Specific Details)

Dimensions/Specifications Subject To Change Without Notice

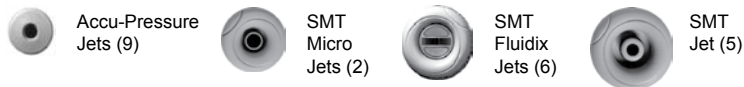
2010 Sundance Spas 780 Dover

Operation/New Features



- (A)** Air Control - Adjusts all Adirondack Lounge Jets (6 SMT Fluidix, 2 SMT)
- (B)** Massage Selector [Pump 1]- Adjusts Massage Level Between Adirondack Lounge Jets + Contour Seat Jets and Accu-Ssage Therapy Seat Jets
- (C)** Air Control - Adjusts All Contour Seat Jets (3 SMT)
- (D)** Waterfall Selector [24-Hour Circulation Pump] - Controls Waterfall Output
- (E)** Air Control - Adjusts All Accu-Ssage Therapy Jets (9 Accu-Pressure, 2 SMT Micro)

22 Total Jets



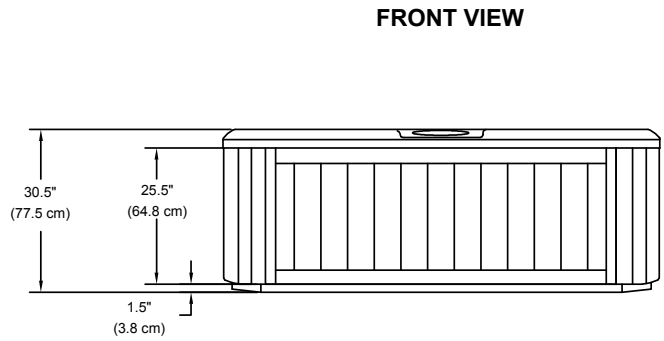
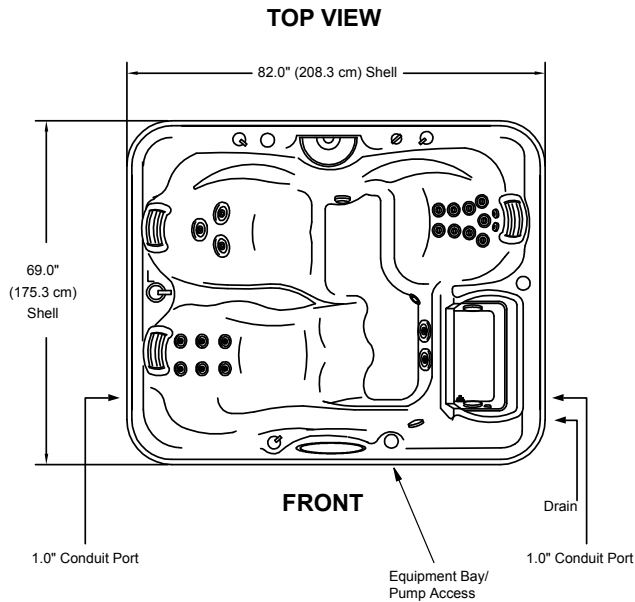
Spa Operation Subject To Change Without Notice

NEW FOR 2010!

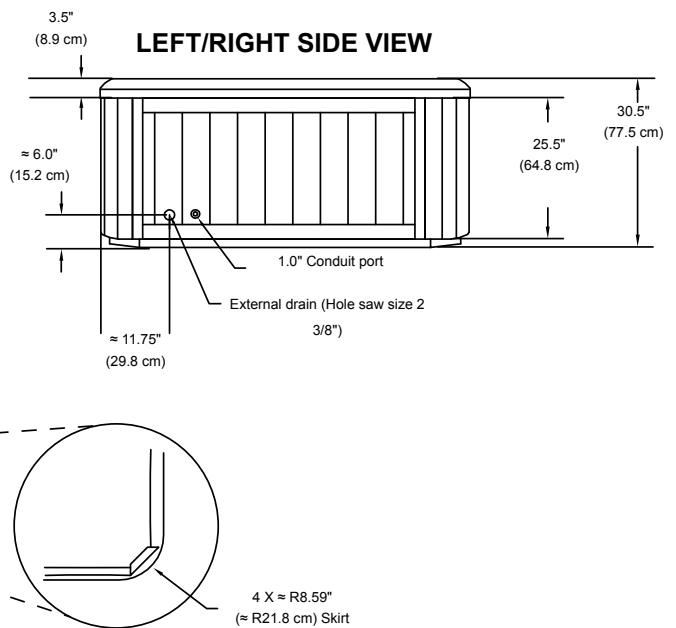
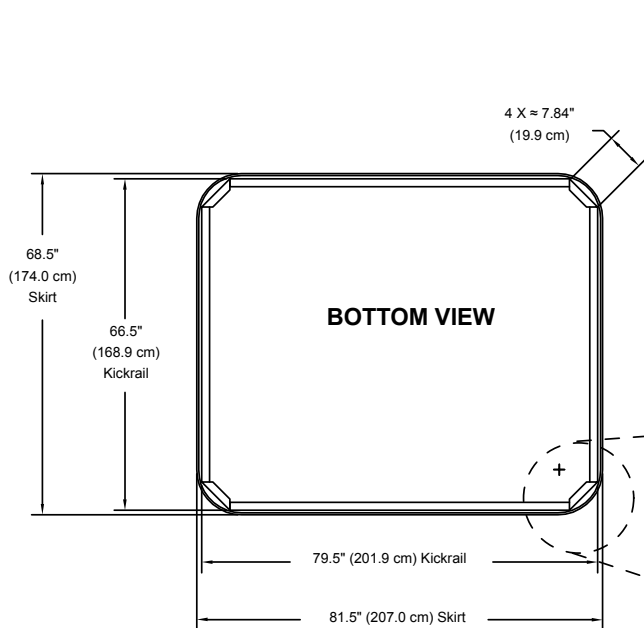
Dimensions/Specifications Subject To Change Without Notice

2010 Sundance Spas 780 Dover

Portable Dimensions



IMPORTANT! Always measure each hot tub for exact dimensions BEFORE designing its foundational support and/or decking.



Dimensions/specifications subject to change without notice. Tolerance: ± 0.5" (1.27 cm)

Dimensions/Specifications Subject To Change Without Notice