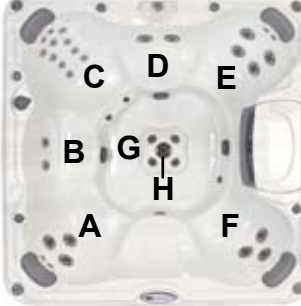


2010 Sundance Spas 780 Chelsee

Specifications

<p>Dimensions:..... 88" x 88" x 36" (223.5 cm x 223.5 cm x 91.5 cm)</p> <p>Seating Capacity:..... 6-7 Adults</p> <p>Dry Weight:..... 805 lbs (365 kg)</p> <p>Filled Weight:..... 4,711 lbs (2,137 kg)</p> <p>Water Capacity (Spa Volume):..... 468 US Gal (1,772 Liters)</p> <p>Water Capacity (Average Fill):..... 380 US Gal (1,438 Liters)</p> <p>Controls: 780 Series Solid-State Electronic Controls with LED Readout, Programmable Water Temperature, Filtration, and Heat Cycles</p> <p>Water Delivery:..... 2 High Flow Pumps</p> <p>Pump 1: North America (60 Hz): 2-Speed/2.5 HP Continuous, 11.3A Max. Export (50 Hz): 2-Speed/2.0 HP Continuous, 8.0A Max.</p> <p>Pump 2: North America (60 Hz): 1-Speed/2.5 HP Continuous, 10.0A Max. Export (50 Hz): 1-Speed/2.0 HP Continuous, 7.0A Max</p> <p>Pump 3: 24-Hour Filter/Circulation Pump</p> <p>Total Hydrojets:..... 36</p> <p>Therapy Seat 1 (A): 2 SMT Micro, 3 SMT</p> <p>Soaking Seat 2 Jets (B): 2 SMT Fluidix</p> <p>Accu-Ssage Therapy Seat (C): 4 SMT Micro, 9 Accu-Pressure</p> <p>Soaking Seat 2 Jets (D): 2 SMT</p> <p>Contour Seat (E):..... 2 SMT Micro, 4 SMT</p> <p>Therapy Seat 2 (F):..... 3 SMT</p> <p>Footwell Jets (G):..... 4 SMT Mini</p> <p>Center Footwell Jet (H):..... 1 SMT Turbo</p> <p>Air Controls/Massage Selectors:..... 4/1; Standard air controls with LED light rings</p> <p>Filter: MicroClean I Filtration System with Floating Weir, 125 ft² combined filtration (1 pleated and 1 spun-bound cartridge)</p> <p>Water Treatment:..... Automatic Brominator and 24-Hour Circulation Pump; Ozone Adaptable</p> <p>Lighting:..... Standard Multi-Colored SunRay LED Light</p> <p>Synthetic Cabinet: Available in Sierra, Coastal, and Mahogany</p> <p>Shell Colors: North America: Platinum, Sand, Sahara, Celestite, Oyster, Copper Sand, Twilight, Graphite Export (50 Hz): All North America Colors</p> <p>Handrails:..... N/A</p> <p>Headrests:..... Four, 1-Piece Gray</p> <p>Heater:..... North America (60 Hz): 5.5 kW, High Flow Export (50 Hz): High Flow, 2.7 kW</p> <p>Electrical Requirements: North America (60 Hz): 240 VAC@40A, 50A, or 60A; Export (50 Hz): 230-240 VAC@20A, 30A, or 40A; or Suitably Rated Circuit Breaker to Comply with Local Electrical Regulations. Certain Countries May Require Dual Power Inputs; Two GFCI/RCD Breakers are Required for This Configuration.</p> <p>Limited Warranty*:..... North America (60 Hz): 10 Years Shell, 7 Years Shell Surface, 5 Years for Plumbing Component Leaks, 5 Years Equipment and Controls 5 Years Cabinet, 2 Years Jets Export (50 Hz): 10 Years Shell, 7 Years Shell Surface, 2 Years Plumbing, 2 Years Equipment and Controls, 2 Years Cabinet, 2 Years Jets</p> <p>Waterfall Feature: On/Off Flow Rate; Colored Lighting</p> <p>Special Features Optional Factory Installed SunSurround System with Standard Wireless Remote Control and MP3 Plug</p> <p>Inground Model..... Not Available</p>	
--	---

**Optional Factory Only
Installed Stainless Steel
Jet Escutcheons**

*(See Warranty Document for Specific Details)

Dimensions/Specifications Subject To Change Without Notice

2010 Sundance Spas 780 Chelsee

Operation/New Features



A Air Control - Adjusts All Therapy Seat 1 Jets (2 SMT Micro, 3 SMT) + All Therapy Seat 2 Jets (3 SMT) + Soaking Seat 1 Jets (2 SMT Fluidix) + Footwell Jets (4 SMT Mini)

B Massage Selector [Pump 1]- Adjusts Massage Level Between All Accu-Ssage Therapy Seat Jets and All Contour Seat Jets + Center Footwell Jet + Soaking Seat 2 Jets

C Waterfall Selector [24-Hour Circ. Pump] - Controls Waterfall Output

D Air Control - Adjusts All Accu-Ssage Therapy Seat Jets (4 SMT Micro, 9 Accu-Pressure)

E Air Control - Adjusts All Contour Seat Jets (2 SMT Micro, 4 SMT) + Soaking Seat 2 Jets (2 SMT)

F Air Control - Adjusts Center Footwell Jet (1 SMT Turbo)

• Jets Pump 2: All Therapy Seat 1 Jets + Therapy Seat 2 Jets + Soaking Seat 1 Jets + 4 Footwell Jets are always on when this pump is running

36 Total Jets



Spa Operation Subject To Change Without Notice

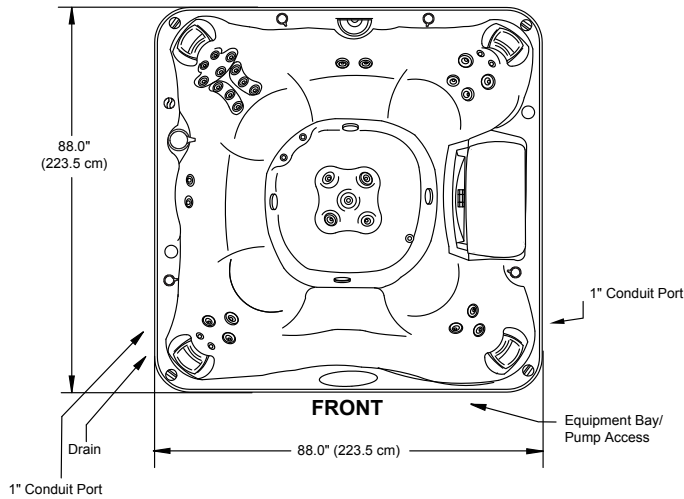
NEW FOR 2010!

Dimensions/Specifications Subject To Change Without Notice

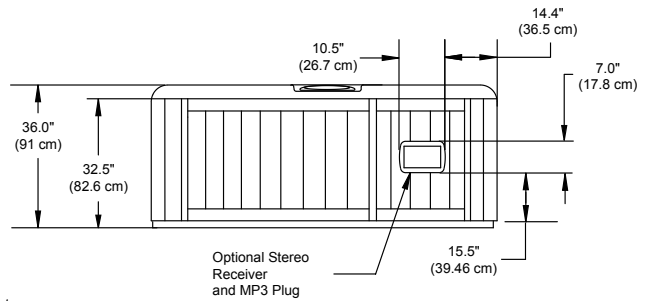
2010 Sundance Spas Chelsee

Portable Dimensions

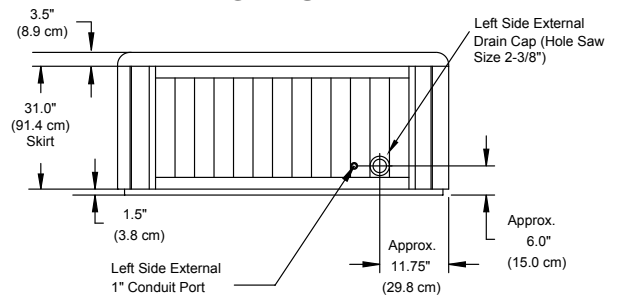
TOP VIEW



FRONT/BACK VIEW
(Front view with stereo option shown)



LEFT/RIGHT SIDE VIEW



IMPORTANT! Always measure each hot tub for exact dimensions BEFORE designing its foundational support and/or decking.

