

2010 Sundance Spas 680 Burlington

Specifications

Dimensions:..... 81" x 86" x 37.5" (206 cm x 218.5 cm x 95.5 cm)
Seating Capacity:..... 5-6 Adults
Dry Weight:..... 727 lbs (330 kg)
Filled Weight:..... 4,249 lbs (1,927 kg)
Water Capacity (Spa Volume):..... 435 US Gal (1,647 Liters)
Water Capacity (Average Fill):..... 350 US Gal (1,325 Liters)
Controls: Solid-State Electronic Controls with LED Readout, Programmable Water Temperature, Filtration, and Heat Cycles



Water Delivery:..... 1 High-Flow Pump
Pump 1: North America (60 Hz): 2-Speed/2.5 HP Continuous, 11A max.
Export (50 Hz): 2-Speed/2.0 HP continuous, 8.0A max.
Optional Pump 2: Optional High Output Dynamic Flow, 24-Hour Filter/Circulation Pump

Total Hydrojets:..... **25**
Lounge Jets (A):..... 8 DXL
Soaking Seat 1 Jet (B):..... 1 DXL
Therapy Seat 1 Jets (C):..... 4 DVX
Soaking Seat 2 Jet (D):..... 1 DVX
Accu-Pressure Therapy Seat Jets (E):... 2 DX, 6 DL
Cool Down Seat Jet (F):..... 1 DXL
Foot Well Jets (G):..... 2 DVX
Air Controls/Massage Selectors:..... 4/1

Optional factory only installed CL 24-hour circulation pump

Optional factory only installed CL jet with escutcheons

Filter: Two, 45 ft² Filter Cartridge System
Water Treatment:..... Ozone adaptable

Optional factory only installed CL lighting LED system

Lighting:..... Standard 12V Footwell Light, Optional CL Lighting LED System (Interior Surround and Footwell)

Synthetic Cabinet:..... Available in Sierra, Coastal, and Mahogany

Shell Colors: North America: Platinum, Sand, Celestite, Sahara, Oyster, Copper Sand, Twilight, Graphite

Export (50 Hz): All North America colors

Headrest:..... Three, 1-piece gray
Heater:..... North America (60 Hz): 5.5 kW 240V
Export (50 Hz): 2.7 kW

Electrical Requirements: North America (60 Hz): 240 VAC@40A or 50A
Export (50 Hz): 230-240 VAC@20A or 30A; or Suitably Rated Circuit Breaker to Comply with Local Electrical Regulations. Certain Countries May Require 2 Power Inputs; Two GFCI/RCD Breakers are Required for This Configuration.

Limited Warranty*:..... North America (60 Hz): 5 Years Shell, 3 Years Shell Surface, 3 Years Plumbing Component Leaks, 3 Years Equipment and Controls, 1 Year Cabinet, 1 Year Jets
Export (50 Hz): 5 Years Shell, 3 Years Shell Surface, 1 Year Plumbing Component Leaks, 1 Year Equipment and Controls, 1 Year Cabinet, 1 Year Jets

Waterfall Feature:..... Variable Valve Control

Special Features:..... Optional CL Stereo System with 4 Speakers; No Subwoofer

Inground Model: Not Available

*(See Warranty Document for Specific Details)

Dimensions/Specifications Subject To Change Without Notice

2010 Sundance Spas 680 Burlington

Operation/New Features



- (A)** Air control - Adjusts Lounge Jets (8 DXL) + Soaking Seat 1 Jet (1 DXL)
- (B)** Massage Selector [Pump 1]- Adjusts Accu-Pressure Therapy Seat Jets + Footwell Jets + Soaking Seat 1 Jet + Soaking Seat 2 Jet + Cool Down Seat Jet and Lounge Seat Jets + Therapy Seat Jets
- (C)** Air Control - Adjusts Footwell Jets (2 DVX)
- (D)** Air Control - Adjusts Therapy Seat Jets (4 DVX) + Soaking Seat 2 Jet (1 DVX) + Cool Down Seat Jet (1 DXL)
- (E)** Waterfall Selector - Controls Waterfall Output
- (F)** Air Control - Adjusts Accu-Pressure Therapy Seat Jets (2 DX, 6 DL)

- Jets Pump 1: Powers all Jets + Waterfall when running

25 Total Jets



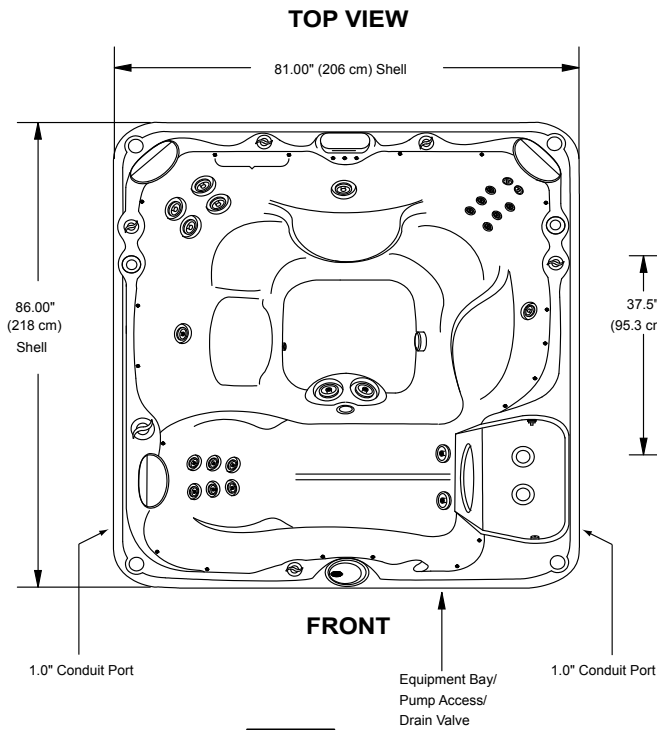
Spa Operation Subject To Change Without Notice

NEW FOR 2010!

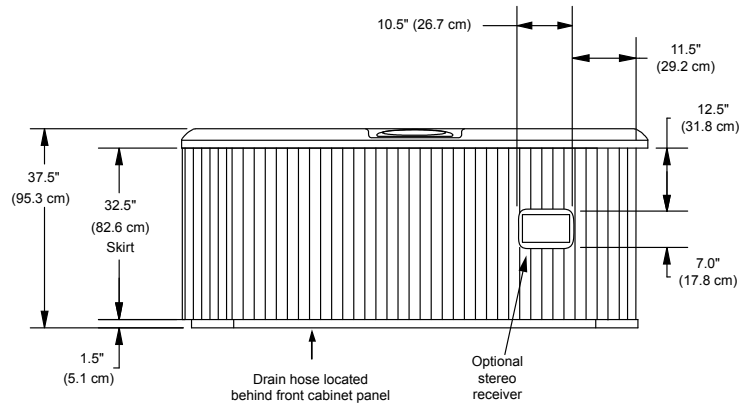
Dimensions/Specifications Subject To Change Without Notice

2010 Sundance Spas 680 Burlington

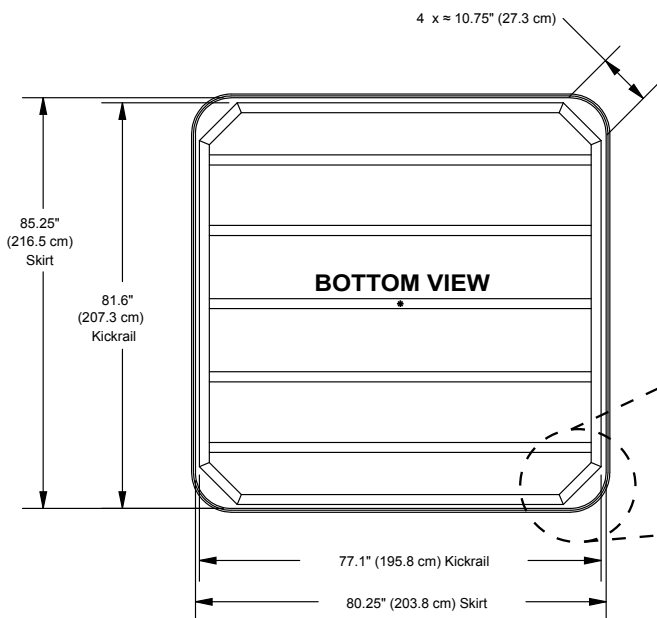
Portable Dimensions



FRONT VIEW
(Front view with stereo option shown)



IMPORTANT! Always measure each hot tub for exact dimensions BEFORE designing its foundational support and/or decking.



SIDE VIEW

